

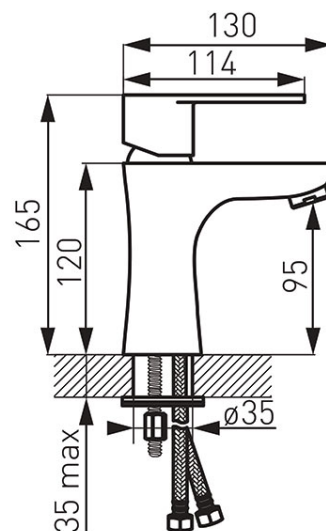
Code: **BAG2**

Algeo - Standing washbasin mixer

<https://www.ferrocompany.com/product-4425-BAG2.html>

Individual packaging: **1, package with bar code allowing for retail sale**

Collective packaging: **12**



- ceramic cartridge
- single hole mounted
- automatic drain plug G1¼
- flow regulator M24x1
- flexible connectors G 3/8 - M10x1
- chrome finishing